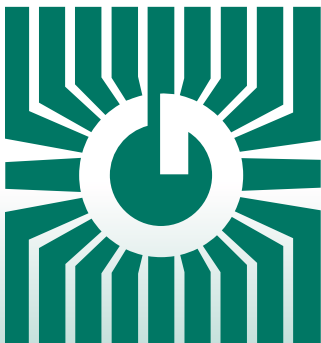


# GREYSTONE

ENERGY SYSTEMS INC



## ROOM TEMPERATURE TRANSMITTER c/w LCD TXRCL Series



### Precision temperature control/sensing

#### FEATURES:

- Precision sensing element
- Current and voltage models
- 2 field selectable ranges
- LCD indication
- Optional Override button, Communications jack and Fan speed switch
- Attractive, low profile enclosure

*Peace of mind  
through reliable  
temperature monitoring*

GREYSTONE HAS AN ISO 9001 REGISTERED QUALITY SYSTEM

## DESCRIPTION:

The TXRCL series room temperature transmitter with LCD display is an attractive, low profile enclosure that incorporates a precision temperature sensor and a transmitter that provides a high accuracy signal with excellent long term stability, low hysteresis and fast response for measurement of room temperatures.

Additional options are available Manual override, Communications jack & Fan speed control.

## SPECIFICATIONS:

### General

Accuracy.....	± 0.2°C (±0.4°F)
Range.....	0° to 35°C (32° to 95°F) or 0° to 50°C (32° to 122°F) programmable
Offset .....	±9° F programmable
Display Units .....	°C or °F programmable
Display Resolution .....	0.5° <100°, 1° >100°
Power Supply .....	24Vac/dc ±10% (non-isolated half-wave rectified)
Consumption .....	20 mA max @ 24 Vdc
Input Voltage Effect .....	Negligible over specified operating range
Protection Circuitry.....	Reverse voltage and MOV protected and output limited
Output Signals.....	4-20 mA active (sourcing) or 0-5 Vdc or 0-10 Vdc (specify when ordering)
Output Resolution .....	10 bit for all signals
Output Drive Capability.....	550 ohm max for current, 10Kohm min for voltage
Programming and Selection .....	Via push buttons and on-screen menu
Operating Conditions .....	0°-50°C (32°-122°F) 0-95% RH non-condensing
Wiring Connections.....	Screw terminal block (14 to 22 AWG)
Enclosure .....	White ABS - IP30 (NEMA 1) 84mmW x 117mmH x 29mmD (3.3" x 4.6" x 1.15")

### LCD Display

Display Size.....	38.1 x 16.5 mm (1.5" x 0.65")
Digit Height .....	11.43 mm (0.45")
Symbols .....	°C, °F, OCC
Backlight.....	Enable or disable via menu

### Manual Override

Type.....	Front panel, momentary pushbutton
Ratings.....	50 mA @12 Vdc, N.O., SPST

### Occupied Input

Signal Type.....	Digital input, 0/5 Vdc standard, active low
Action .....	Causes "OCC" segment to light on LCD

### Fan Speed Switch

Type.....	Side mounted, 5 position slide switch
Designators .....	Off, Auto, Low, Medium, High
Signal .....	2 wire, resistance output - 0, 2, 4, 6, 8 KΩ Custom ranges available, contact Greystone

### Communications

3.5mm phono jack .....	Ring/Mid/Tip connections to a 3-pin terminal block
------------------------	--

## PRODUCT ORDERING INFORMATION:

MODEL	Product Description
TXRCL	Room Temperature Transmitter w/LCD

CODE	Output
A	4-20 mA
D	0-5 Vdc
E	0-10 Vdc

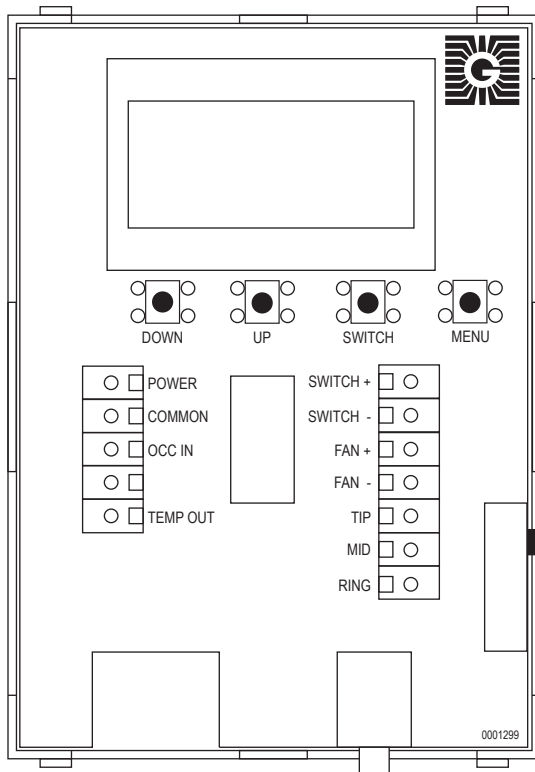
CODE	Options (Multiple selections can be made)
S	Front panel push button momentary switch (NO)
J	External jack for remote system access (3.5 mm phono)
F	Fan Speed Switch, 5 position, (Off, Auto, Low, Mid, High)

TXRCL	A	-
-------	---	---

Greystone Energy Systems, Inc. reserves the right to make design modifications without prior notice.

## PCB/WIRING INFORMATION



### Terminal

POWER  
COMMON  
OCC IN  
TEMP Output  
  
SWITCH +  
SWITCH -  
FAN +  
  
FAN -  
TIP  
MID  
RING

### Function

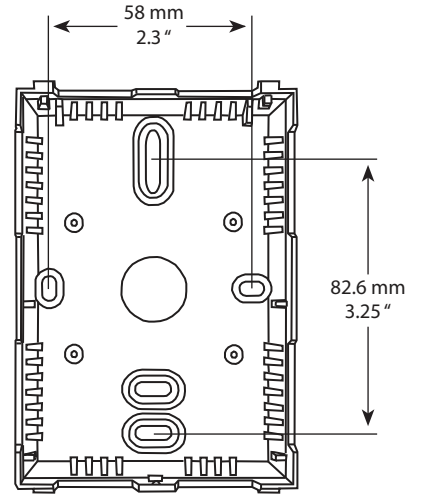
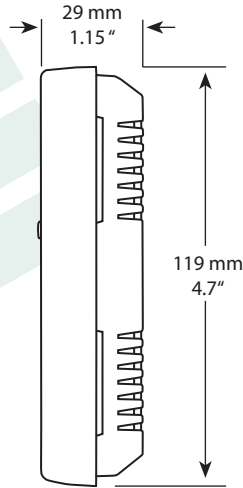
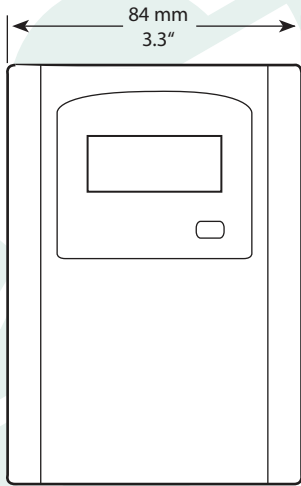
From +24 Vac/dc of controller or power supply  
To GND or COMMON of controller  
To digital output of controller  
To analog input of controller  
4-20 mA or 0-5 Vdc or 0-10 Vdc  
To digital input of controller  
To GND or COMMON of controller  
To analog input of controller  
Resistance input  
To GND or COMMON of controller  
External Jack TIP (tip of plug) connection  
External Jack MID (middle of plug) connection  
External Jack RING (base of plug) connection

\* Some models do not have all these features

\*\*To save on number of connection wires, all GND or COMMON may be connected together.

\*\*\*Illustration shows standard wiring configuration. Custom configurations are available. Please contact Greystone.

**DIMENSIONS:**



Greystone Energy Systems, Inc. reserves the right to make design modifications without prior notice.



*Greystone Energy Systems Inc. is one of North America's largest ISO registered manufacturers of HVAC/R sensors and transmitters for Building Automation Management Systems.*

*We have conscientiously established a worldwide reputation as an industry leader by maintaining leading-edge design technology, prompt technical support, and a commitment to on-time deliveries. We take pride in our Quality Management System which is ISO 9001 certified, assuring our customers of consistent product reliability.*

**GREYSTONE HAS AN ISO 9001 REGISTERED QUALITY SYSTEM**